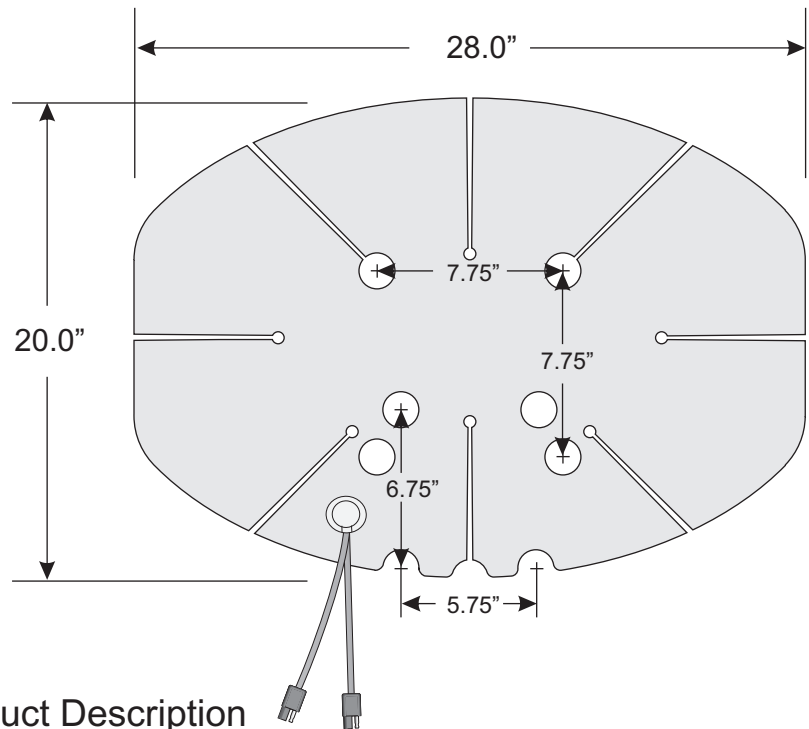


## HotShot Dish Heater

**Designed for SlimLine antennas or any similar reflector shape**

- \* Safe low-voltage 24 VAC heater
- \* Does not require hiring a licensed electrician for installation
- \* Automatic thermostat turns 'on' just above freezing temperatures and 'off' when the dish surface warms up
- \* Durable Vinyl material lasts a long time
- \* Etched foil resistance heating element
- \* Multiple heat zones apply the maximum heat where it's needed most
- \* 3M Acrylic adhesive assures a tight bond to the antenna
- \* Conforms to the reflector curves and angles
- \* One hundred feet of electrical cable provided
- \* Heavy-duty wire-wound power transformer provided



### Product Description

The HotShot brand heaters are an exclusive patented invention of Perfect 10. Our heaters have been offered for over 13 years and are used by many thousands of dish owners in snowy climates to aid reception when the weather gets testy.

An optional LNBF support arm heater **HS14ARM** can be connected to this device to prevent snow buildup on the support arm. The arm heater switches on and off in synchronization with the dish heater element.

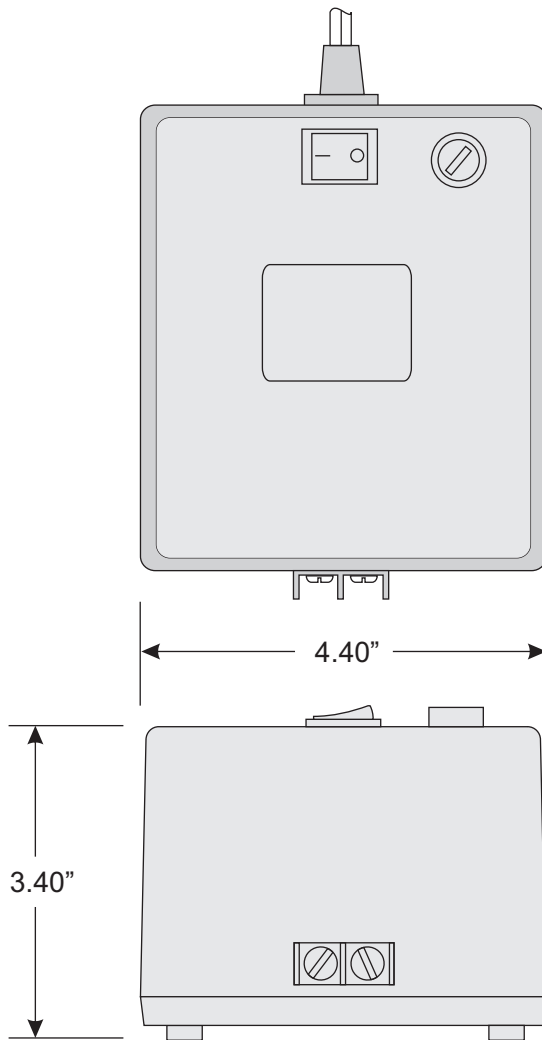
### Electrical

Provided power supply:	<b>HSPS24AC7AMP</b>
Provided wire:	UV resistant 18 ga stranded two-conductor
Thermostat closed:	49° ± 10° F
Thermostat open:	70° F ± 5° F
Heat output:	125.4 Watts ± 10% (Ref 24VAC @ 32° F)

### Packaging

Color is silver Vinyl only.  
Heater blanket, power supply and 100' x 18 ga 2 conductor in this kit.

## HSSLNGRFK Power Supply



**HSPS24AC7AMP**

### Mechanical

High impact ABS body  
**HSPS24AC7AMP** power supply has screw-terminal output connectors  
Single pole on/off manual switch  
Horizontal surface mounting only

### Electrical

Input voltage 120VAC.  
**HSPS24AC7AMP** Output voltage 24VAC @ 7 amps maximum  
**HSPS24AC7AMP** replacement fuse is a 2amp slow-blow (BUSS GDC fuse # T2AL250V)  
Line voltage power-on indicator lamp

### Limitations

Inside use only. This device is NOT moisture resistant.