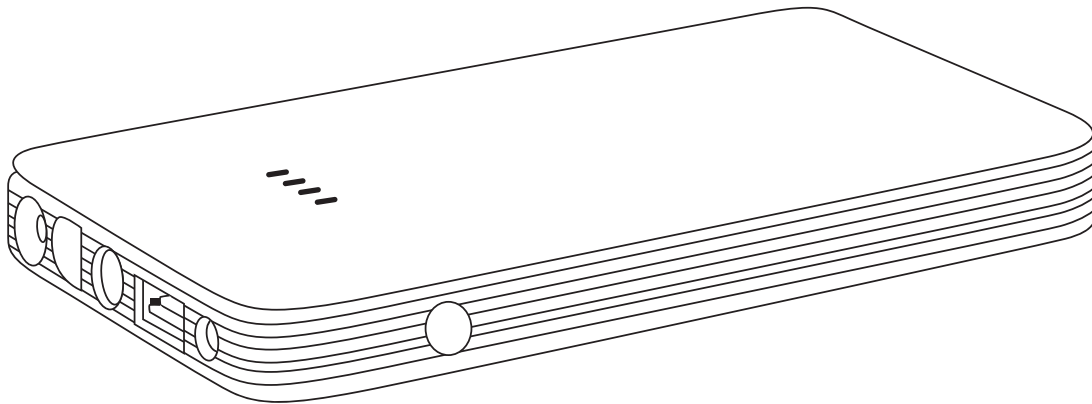




USER MANUAL

Thank you for choosing the POD-X1 Jump Starter! Always follow basic safety precautions when using electrical appliances. Read all instructions carefully. Please keep this instruction manual for easy reference.

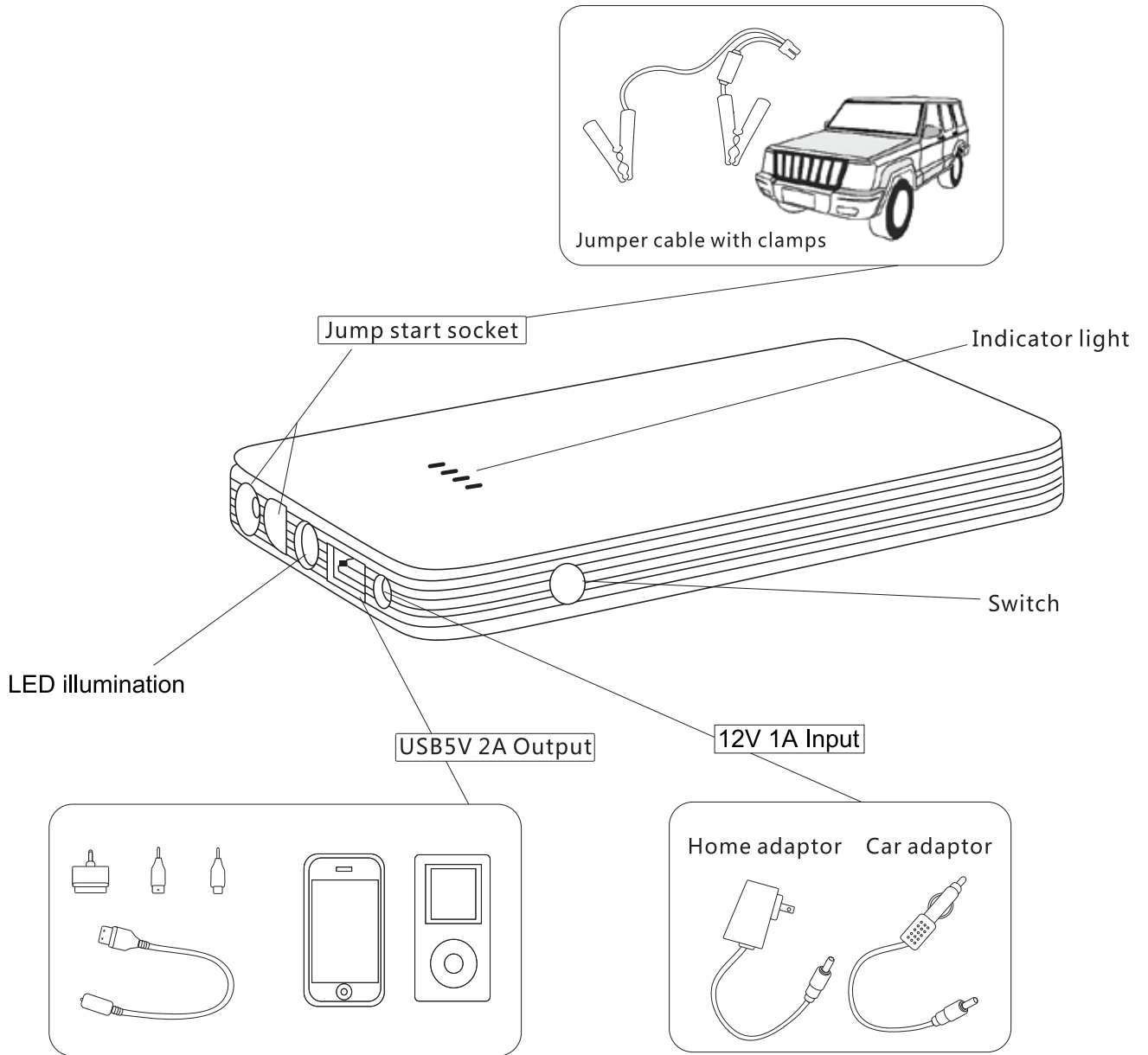


Model:POD-X1

Place serial number
sticker here

To register your POD go to
thepodx.com

A.PRODUCT LAYOUT:



B. OPERATION GUIDANCE

Indicator Lights

Press the switch button to check the capacity of the POD-X1

Indicator lights	1Flashing	1 solid	2 solid	3 solid	4 solid
Battery capacity	0%	25%	50%	75%	100%

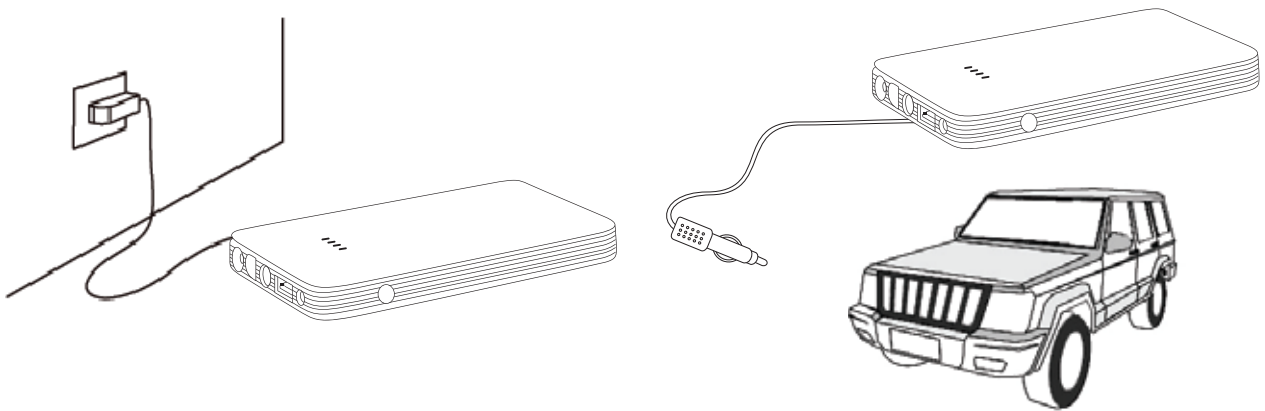
When charging, indicator lights will flash one by one. The number of solid indicator lights indicates the battery capacity of the POD-X1. Full indicator lights are solid when charging is completely charged.

Charging the POD-X1:

1. Plug the home adaptor into the universal socket.
2. Connect the 12V 1A input port of POD-X1 to the other end of the home AC outlet.

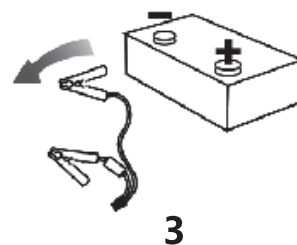
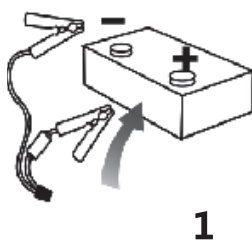
Or

1. Plug the car adaptor into the socket of cigarette lighter.
2. Connect the 12V 1A input port of POD-X1 to the other end of the car adaptor.



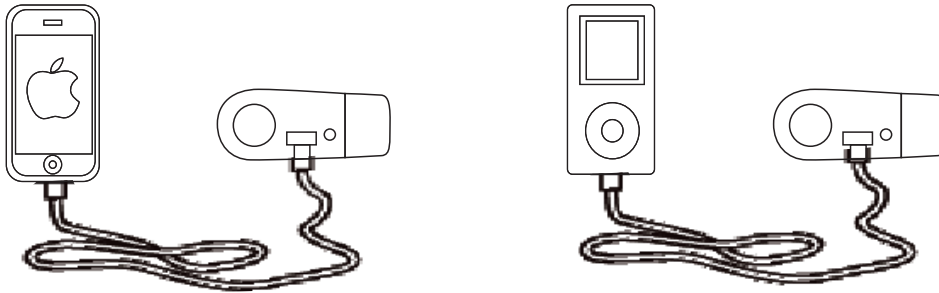
To jump start 12V vehicles

1. Make sure that the number of indicator light is not less than 3.
2. Plug the jumper cable's cord into the jump start socket.
3. Connect the red battery clamp of jumper cable to the vehicle's positive (+) battery terminal and connect the black battery clamp of jumper cable to the vehicle's negative (-) battery terminal.
4. Start the vehicle
5. When the vehicle starts, remove jumper cable from vehicle battery terminals within 30 seconds
6. Leave the vehicle's engine running



Charging mobile phone or tablets

1. Plug the switch cable B to USB 5V 2A output port.
2. Select appropriate connector for your mobile phones or tablet and connect it to the switch cable B and your mobile phone or tablet.
3. Press the switch button to charge.



LED illumination

Press the switch button 3 seconds to start the LED illumination and then 4 modes of LED light appear in sequence (normal. strobe. SOS. off) if you press lightly.

C. PARTS LIST:

#	Parts Name	Quantity	#	Parts Name	Quantity
1	Main product	1	5	Car adaptor	1
2	Switch cable	1	6	Jumper cable with battery clamps	1
3	Mobile phone connector	4	7	User Manual	1
4	Home adaptor	1			

D. TECHNICAL SPECIFICATIONS :

Size : 131*75*25mm
Weight : 225g
Output: 5V $\overline{=}$ 2A; 12V Jump Start
Input : 15V $\overline{=}$ 1A
Full charging time : 3 hours
Starting current : 200A
Peak current : 400A
Operating temperature : 0°C-60°C

E. FAQ :

Q. How do you turn off the POD-X1?

A. The POD-X1 will power off automatically when charging is complete or no power is drawn

Q. How many times can it fully charge my mobile phone?

A. At least 4 times for the iPhone 4

Q. How long will the POD-X1 take to fully charge my mobile phone?

A. Approx. 1 hour.

Q. How many times can the POD-X1 start the vehicle when fully charged?

A. Approx. 20 times.

Q. How long will the POD-X1's charge last?

A. 6-12 months, however, we suggest you recharge it every 3 months.

F. TROUBLE SHOOTING:

Problem	Cause	Remedy
No response when I press the switch button.	Low voltage protection of Jump Starter is started.	Plug the adaptor into the 12V 1A input port to activate.

G. TOXIC AND HARMFUL SUBSTANCES:

Composition and amount of toxic and harmful substances in Jump Starter					
Pb	Hg	Cd	Cr(Vi)	PBB	PBDE
O	O	O	O	O	O

O : Indicate all homogeneous materials' hazardous substances content are below the MCV limit specified in the Standard 2002/95/EC (RoHs).

H. Warning:

1. Securely fasten the blue plug into the jump start socket when jumpstarting a vehicle. If not secured, it will not jump start the vehicle, and will even make the socket melt.
2. Check that the battery clamps have a good connection, whether the battery connector is rusted, dirty if the vehicle can not be started. Jump start again after cleaning. Do not continue to jump start after 3 unsuccessful attempts, otherwise it will damage the POD-X1. Check the vehicle for other reasons.
3. Remove the product from the vehicle within 30 seconds of starting the vehicle.
4. Do not connect the two clamps together.
5. Do not dispose the product.



Always use caution when using the POD-X1.



This appliance is not intended for use by young children, elderly, mentally challenged persons without supervision.



Do not use as a toy.



Do not allow the POD-X1 to become wet.

Do not immerse the POD-X1 in water.



Do not operate the POD-X1 in an explosive atmosphere, such as in the presence of flammable liquids, gases or dust.



Do not modify or disassemble the POD-X1. Only a repair technician may repair this unit.



Do not expose the POD-X1 to heat.

Do not store in locations where the temperature may exceed 90°F.



Charge only at ambient temperatures between 40°F and 80°F.

Charge only using the charger provided with the POD-X1.



Under extreme conditions, battery leakage may occur. Carefully wipe the liquid off using a cloth and avoid skin contact. In case of skin or eye contact, rinse immediately with clean water and seek medical attention.



Always discard the battery appliances with due care for our environment.

I. WARRANTY INFORMATION:

1.We offer a limited warranty for this product against any defects in material and workmanship for a period of 3 years from the date of purchase by the end user/consumer. The conditions of the warranty are as follows:

2.The warranty is only valid upon presentation of the original receipt (from dealer/retailer) by the original purchaser with the product to be repaired or replaced

3.The warranty is void if the serial number, date of purchase and label has been removed

4.The warranty does not cover damage or product failure resulting from normal wear and tear, physical abuse, improper installation, misuse, modification or repairs by unauthorized third parties

5.We do not assume responsibility for any loss or damage incurred during shipment or as a result of a force majeure

6.We are not liable for any incidental or consequential damages arising from the use or misuse of this product

7.All warranty claims are limited to repair or replacement of the defective product and at the sole discretion of us

8.If we repair or replace the product, the product will be covered for the remaining time of the original warranty period. Repair or replacement may involve the use of reconditioned units which are equivalent in function. Replaced part or product becomes the property of us



Overcharge and
Overdischarge Protection



Fuse Protection



Against-reverse Plug

Applied Standard : GB/T 18287-2000

